

Qingdao Zongjin Engineering Machinery Co.,Ltd.  
ADD: NO.88 Chunyang Rd , Chengyang , Qingdao , China  
<http://www.wolfloader.com>  
Tel:0086-532-66739792



E-mail: [sunny@chinawheelloaders.com](mailto:sunny@chinawheelloaders.com)  
Fax:0086-532-66739791

## **WE10 mini Crawler Excavator**



### Product Feature And Advantage

1. Small size and easy to transport, could be loaded onto light truck or small trailer, 6 sets could be loaded into one 20GP container, 12 sets in 40GP to save freight cost.
2. Famous brand hydraulic system parts ensure the stable quality.
3. boom deflection design meet narrow work condition, reinforced rubber track to protect road
4. extend hydraulic line for various attachments.
5. comfort seat make operator easy to work.
6. Could be widely used in gardening, orchard, farming, basement reconstruction, waste residue carrying in coal washing factory, paper-making factory etc. and could replace 4~5 manpower.

## Technical Specification

### Engine

Model	KOOP KD192F-1 7kW/3000rpm Euro 5 stage
Type	Direct injection, wind cooled, natural intake
No. of cylinder	1

### Main Performance

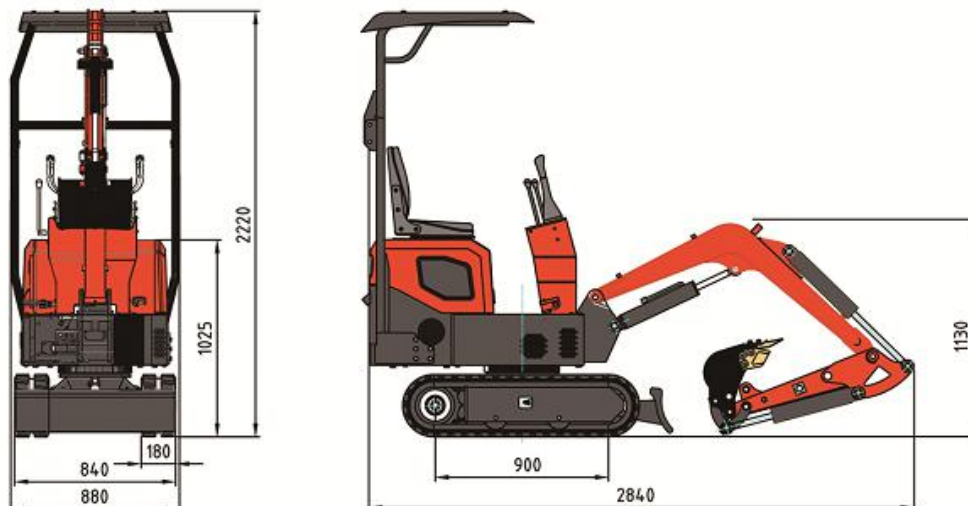
Swing Speed	r/min	0-13
Traveling Speed	km/H	2
Grade ability	%	30°
Traveling Tracking Force	kN	8.3
Bucket Digging Force	kN	7.2
Arm Digging Force	kN	4.6

### Hydraulic System

Hydraulic system working pressure	Mpa	16
Hydraulic Pump		Gear Pump
Hydraulic pump flow	L/min	18
Fuel Tank Capacity	L	26
Hydraulic Tank Capacity	L	14.5 in Hydraulic tank 21.5 in Hydraulic system

### Overall Dimensions

Overall Length	mm	2840
Overall Width	mm	880
Overall Height	mm	2200
Counterweight Ground clearance	mm	385
Axle Base	mm	900
Track width	mm	180
Undercarriage width	mm	840
Undercarriage ground clearance	mm	132



Qingdao Zongjin Engineering Machinery Co.,Ltd.  
 ADD: NO.88 Chunyang Rd , Chengyang , Qingdao , China  
<http://www.wolfloder.com>  
 Tel:0086-532-66739792



E-mail: [sunny@chinawheelloaders.com](mailto:sunny@chinawheelloaders.com)  
 Fax:0086-532-66739791



## Operation parameters

Operation Weight	KG	950
Bucket Capacity	m <sup>3</sup>	0.023
Max. Digging Radius	mm	3065
Max. Digging Depth	mm	1715
Max. Digging Height	mm	2600
Max. Dumping Height	mm	1830
Tail Swing Radius	mm	800

